



9000-R Rooftop unit

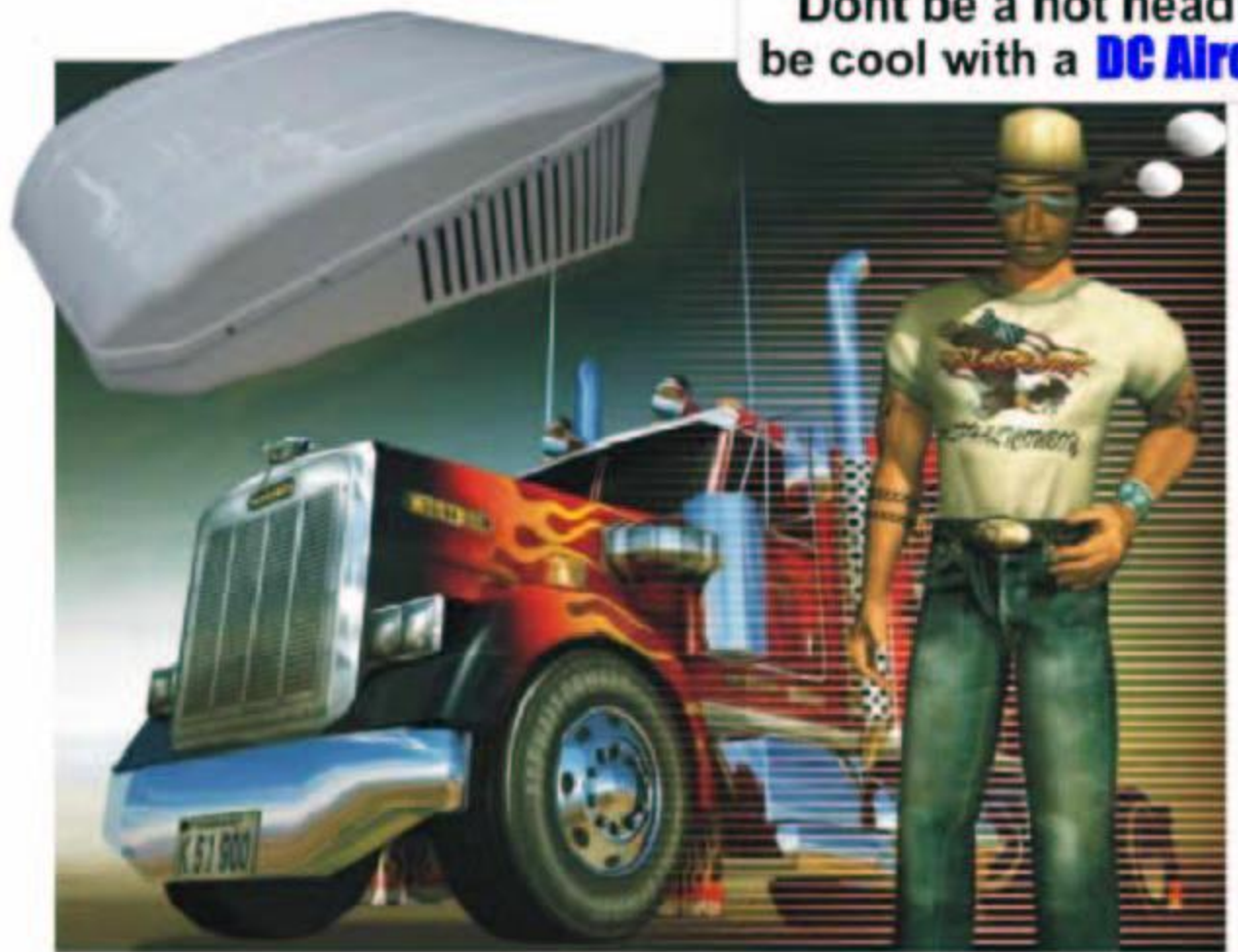
STATE OF THE ART TECHNOLOGY

A world first with unique technology that has been proven on truck fleets in Europe and USA.

	12 volt	24 volt
Cooling Output	9000 BTU/hr 2650 watts 12 volts	10000 BTU/hr 3000 watts 24 volts
Maximum Consumption	430 watts 39 amps	430 watts 17.9 amps
Net Unit Weight	88.2 lbs 40 kg	88.2 lbs 40 kg
Unit Dimensions	39.4" long 30.3" wide 12.4" high	39.4" long 30.3" wide 12.4" high
	1000 mm long 770 mm wide 315 mm high	1000 mm long 770 mm wide 315 mm high

- Runs from standard 12 or 24 volt start and/or auxiliary battery
- Does not require hoses or belts running from the motor
- Unit can be cooling with engine turned off and parked also when your driving
- The airco is equipped with a low battery sensor which can be adjusted
- High cooling output of 10,000 Btu's keeps you icy cool even in extreme heat
- Low current drain on compressor start-up
- Delayed fan start-up
- Unit cycles off completely once reached desired temperature
- Ozone friendly refrigerant R134a

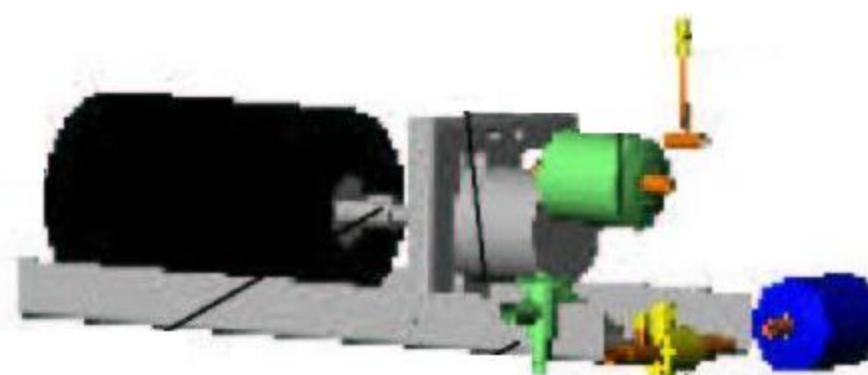
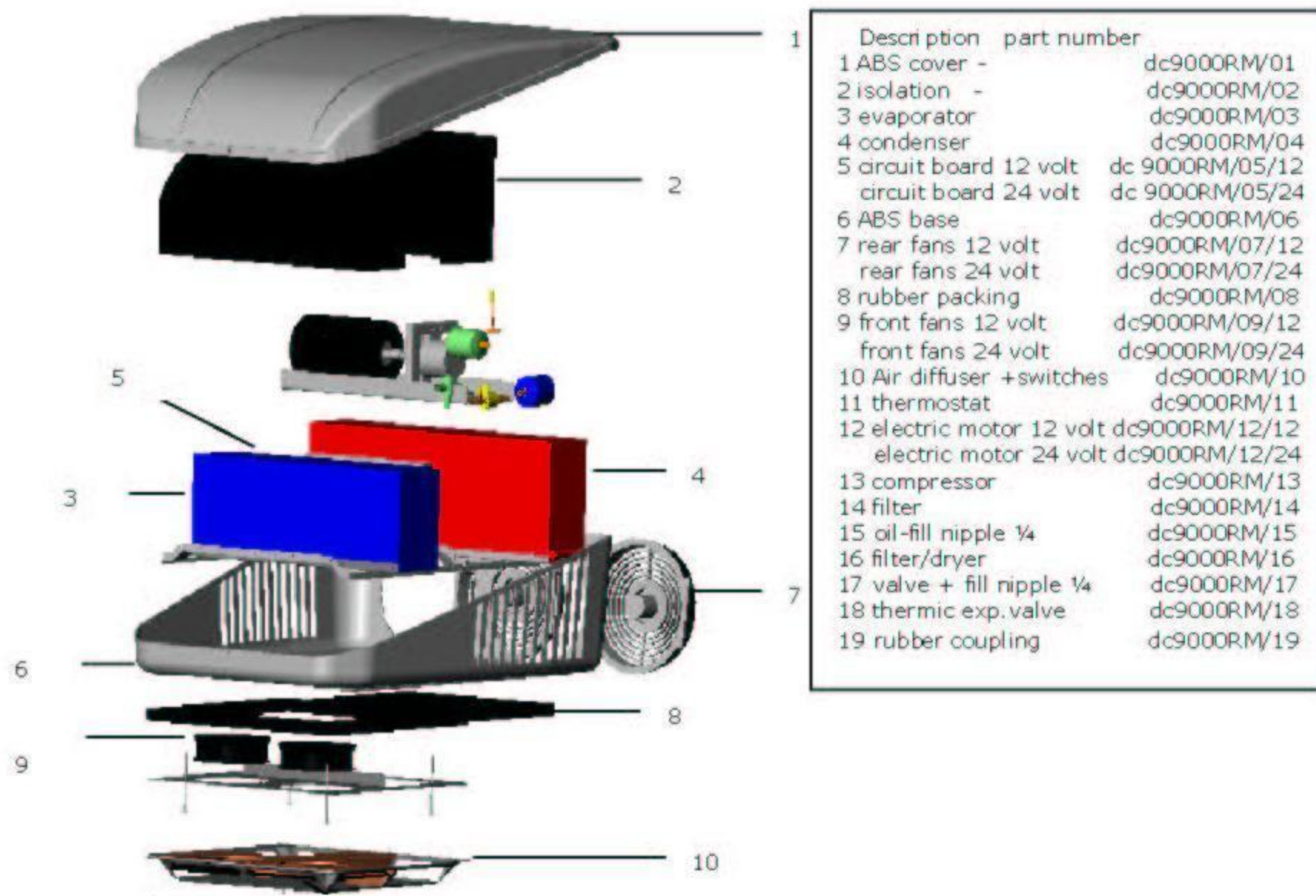
- Low Servicing
- Adjusts it self to temperature changes
- Low/High speed in side fan switch
- Adjustable temperature control
- World first unique compressor design



RENEGADE Auto Cool

Unit 2 / 30 Collinsvale St
 Rocklea
 QLD 4106
 Ph: 07 3277 2815
 Fax: 07 3277 3185

DC Airco 9000 Rooftop 12 Volt Electric system



40 cc Rotary Compressor & DC Electric motor with direct drive set-up

